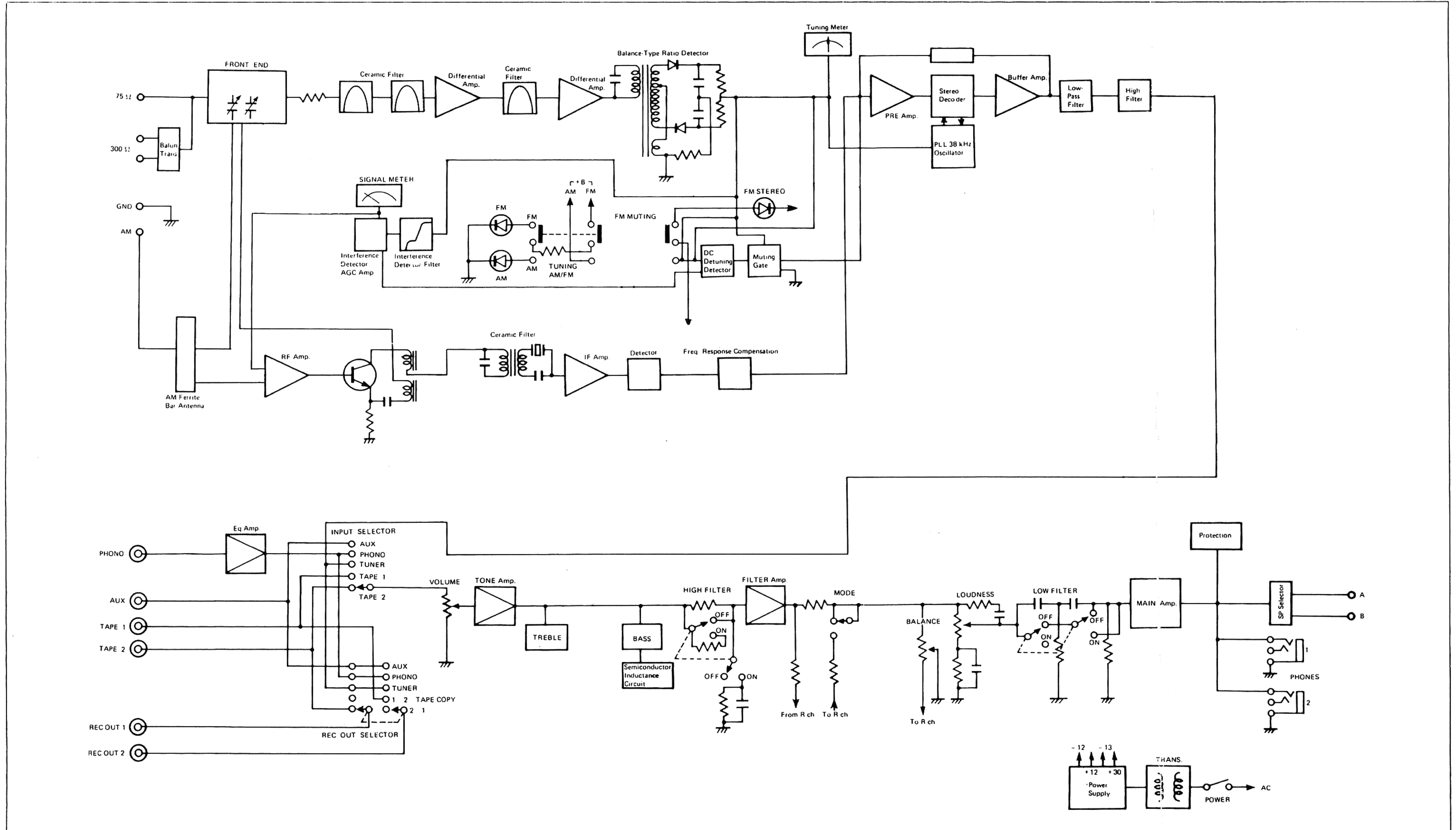


HiFi ENGINE®

For more Hi-Fi manuals and set-up information
please visit www.hifiengine.com

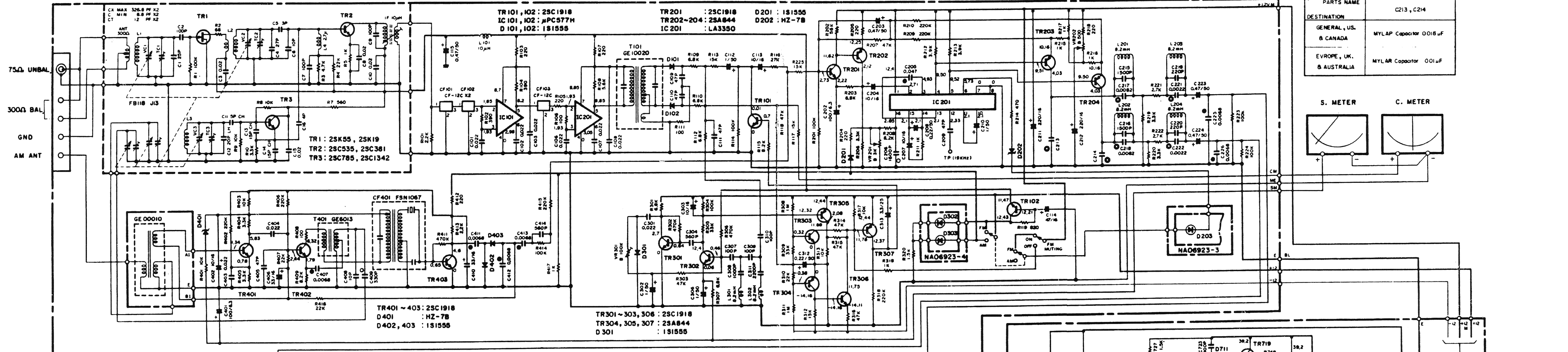
CR-620

BLOCK DIAGRAM

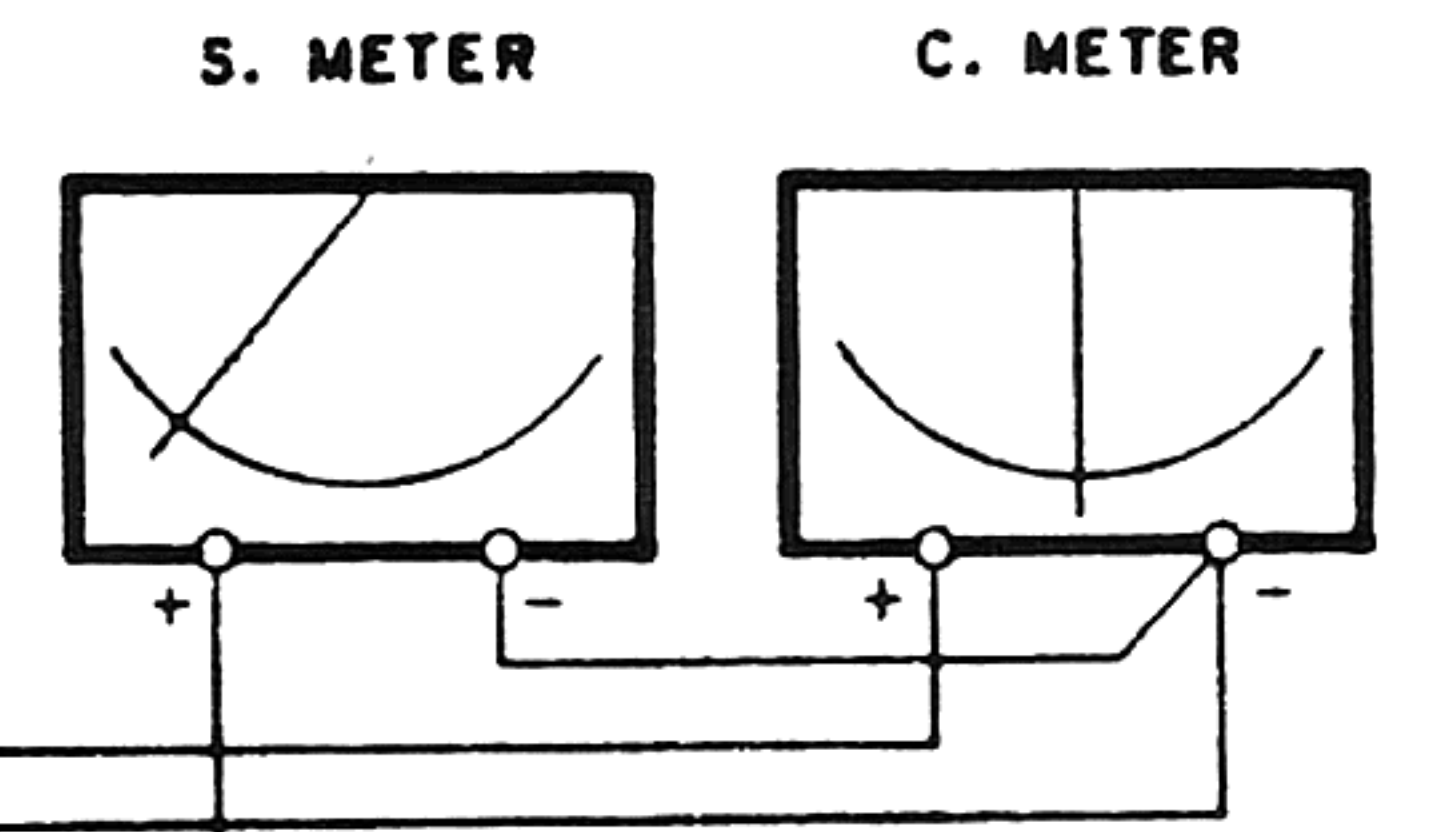


TUNER C. BOARD (1)

NA06923-1

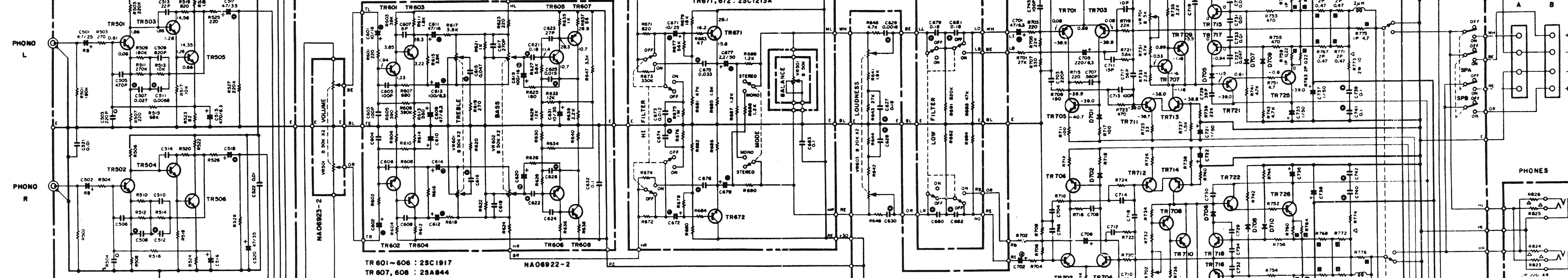


PARTS NAME	C213, C214
DESTINATION	GENERAL, U.S. & CANADA EVROPE, UK. & AUSTRALIA
	MYLAR Capacitor 0.01uF MYLAR Capacitor 0.01uF



TR 501 ~ 504 : 25C1917
TR 505, 506 : 25C1213A

MAIN C. BOARD (2)



TR 601 ~ 606 : 25C1917
TR 607, 608 : 25A844

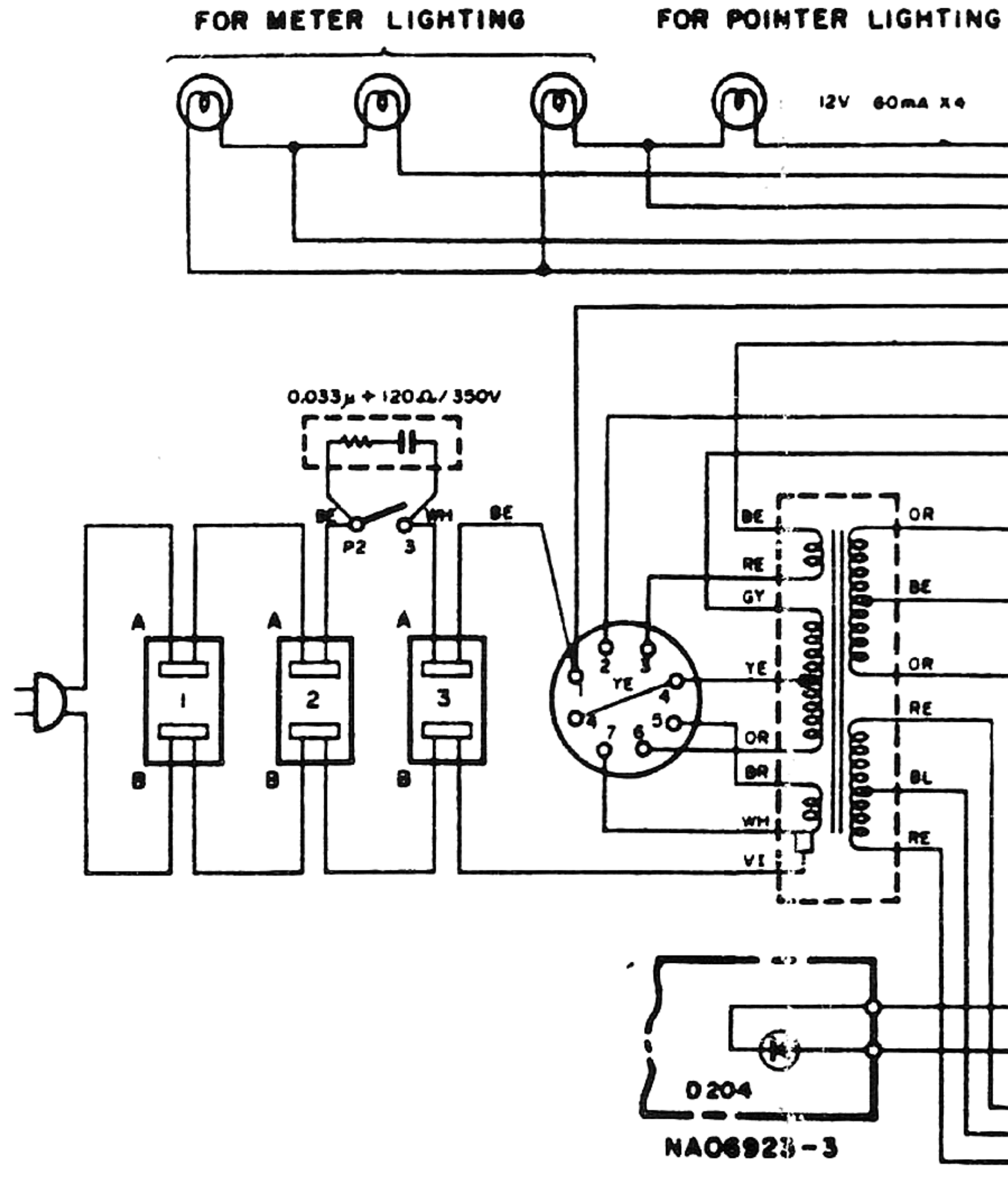
TR 701 ~ 704 : 25A872
TR 705, 706, 711, 712, 715, 716 : 25C1918
TR 709, 710, 717, 718 : 25A844
TR 713, 714, 719, 720 : 25D438

TR 707, 708 : 25C458
TR 721, 722 : 25B560
TR 723, 724 : 25D371
TR 725, 726 : 25B531
D701 ~ 710 : 1S1555

NOTE 1)

● RESISTOR	
SYMBOL	PART NAME
	FUSE RESISTOR
	METALIZED OXIDATION RESISTOR
	FIRE PROOFED RESISTOR
	CARBON RESISTOR
	CEMENT MOLDED RESISTOR
	METALIZED FILM RESISTOR

● CAPACITOR		
SYMBOL	PART NAME	REMARKS
	MYLAR CAPACITOR	
	CERAMIC CAPACITOR	
	POLYSTYRENE CAPACITOR	
	BL CERAMIC CAPACITOR	
	ELECTROLYTIC CAPACITOR	
	LOW-NOISE ELECTROLYTIC CAPACITOR	
	TANTALUM CAPACITOR	
	RB CAPACITOR	
	BI POLAR CAPACITOR	



MAIN C. BOARD (1)

NA06922-1

DIN CONNECTORS EMPLOY ONLY EUROPEAN MODELS

NA06922-3

TR 802 : 25D234
TR 803, 804 : 25D400
TR 805, 806, 808 : 25C1918
TR 807 : 25A844

TR 809 : 25B544
D801 : 1D4B1
D802 : HZ-30
D804, 805 : HZ-120
D810 : 1S1555
D803, 806-809, 811 : 1S1685

D812 : 30DC1
D813 : 30DC1R